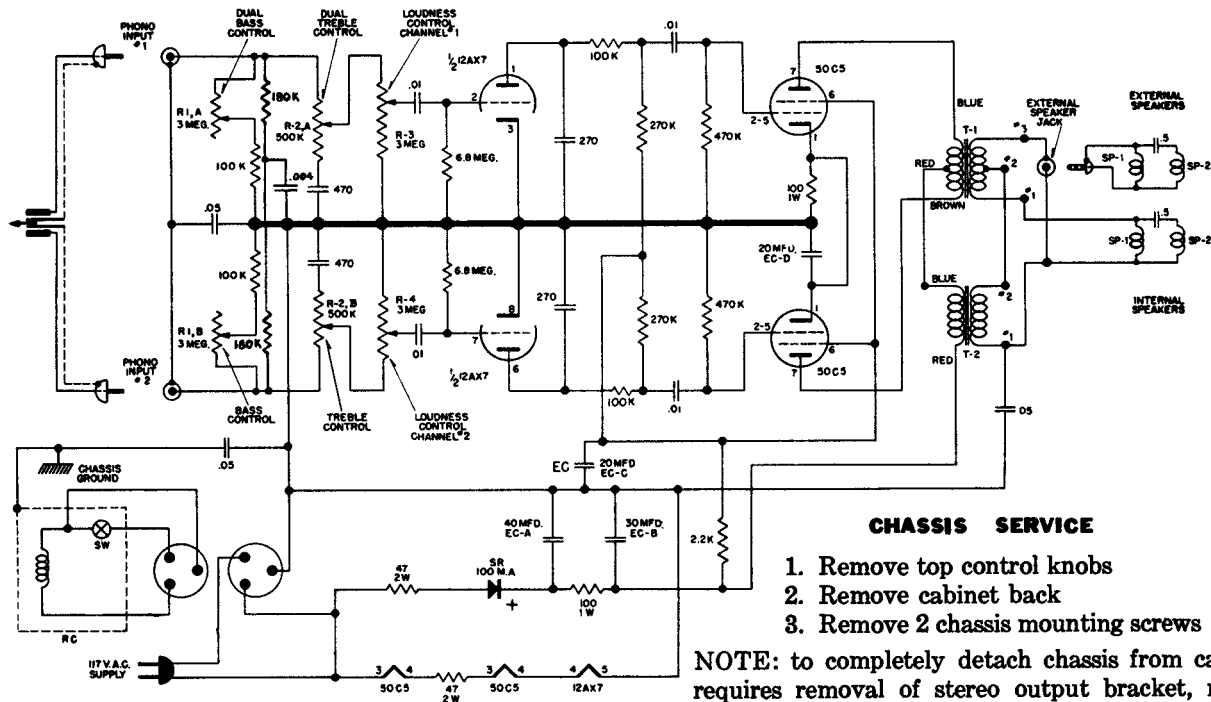


# CBS-COLUMBIA Models C1012 and C1148



## CHASSIS SERVICE

1. Remove top control knobs
2. Remove cabinet back
3. Remove 2 chassis mounting screws

**NOTE:** to completely detach chassis from cabinet requires removal of stereo output bracket, motor plug and ground lead.